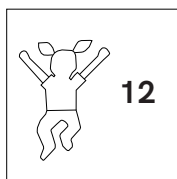
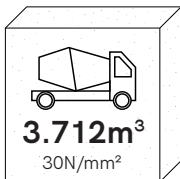
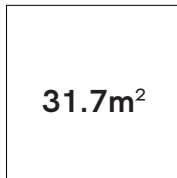
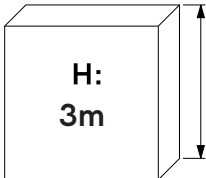
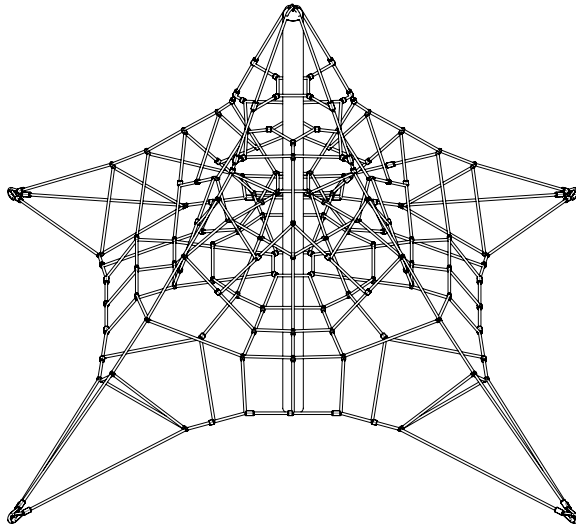




# ACTIVE 3000

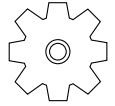
TAY-ACT3000-WP-v2.2

EN1176-1:2017 | EN1176-11:2014




2-3	
4-8	
9-11	
12	
13-16	
18-27	



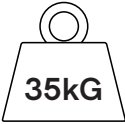


**x1**

3329mm

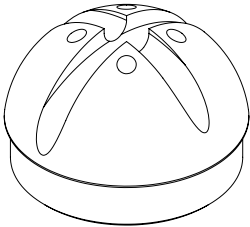


**1 : Mast**



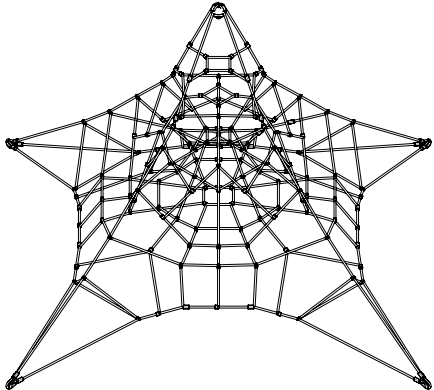
**35kG**

**x1**



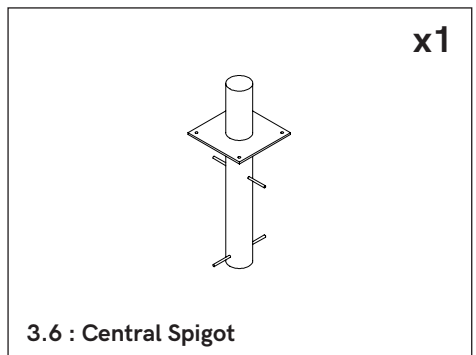
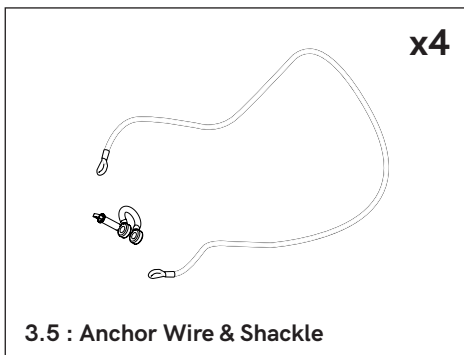
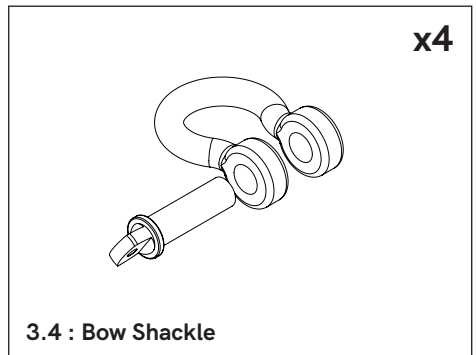
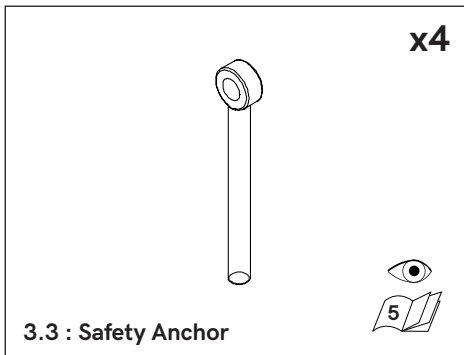
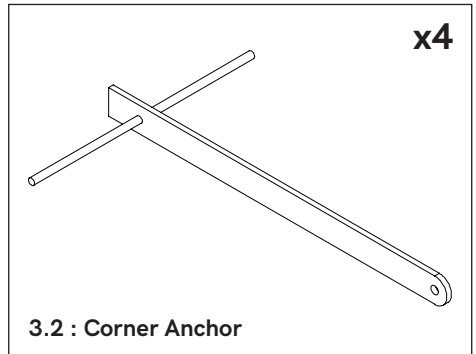
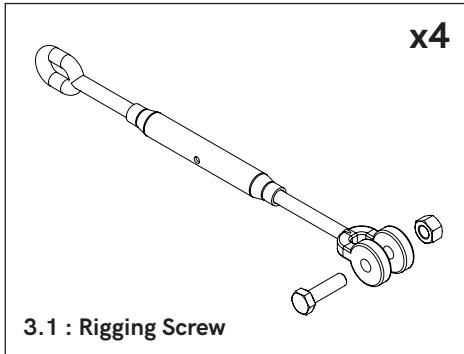
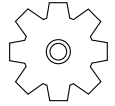
**2.1 : Dome**

**x1**

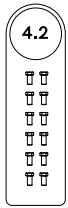
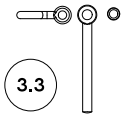
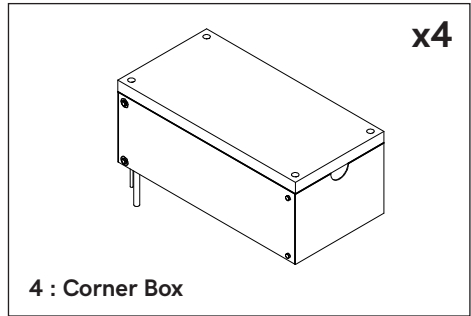
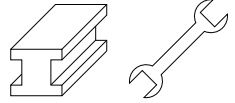


**2.2 : Net**

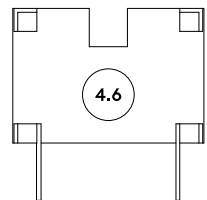
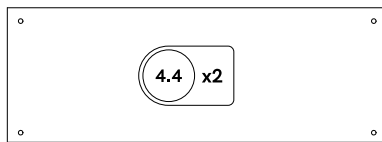
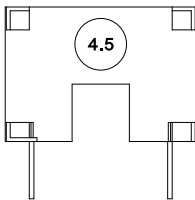
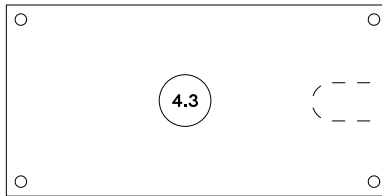




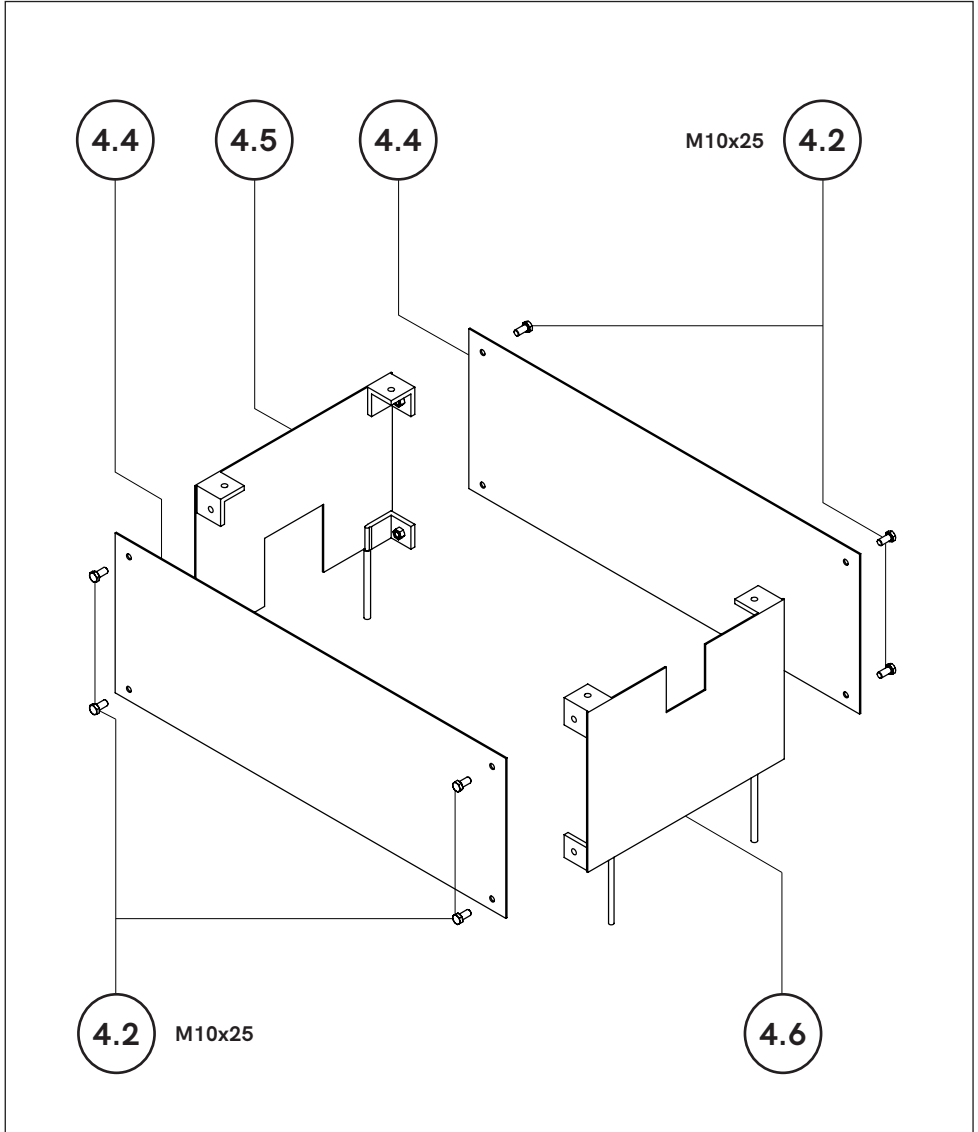
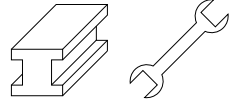
1



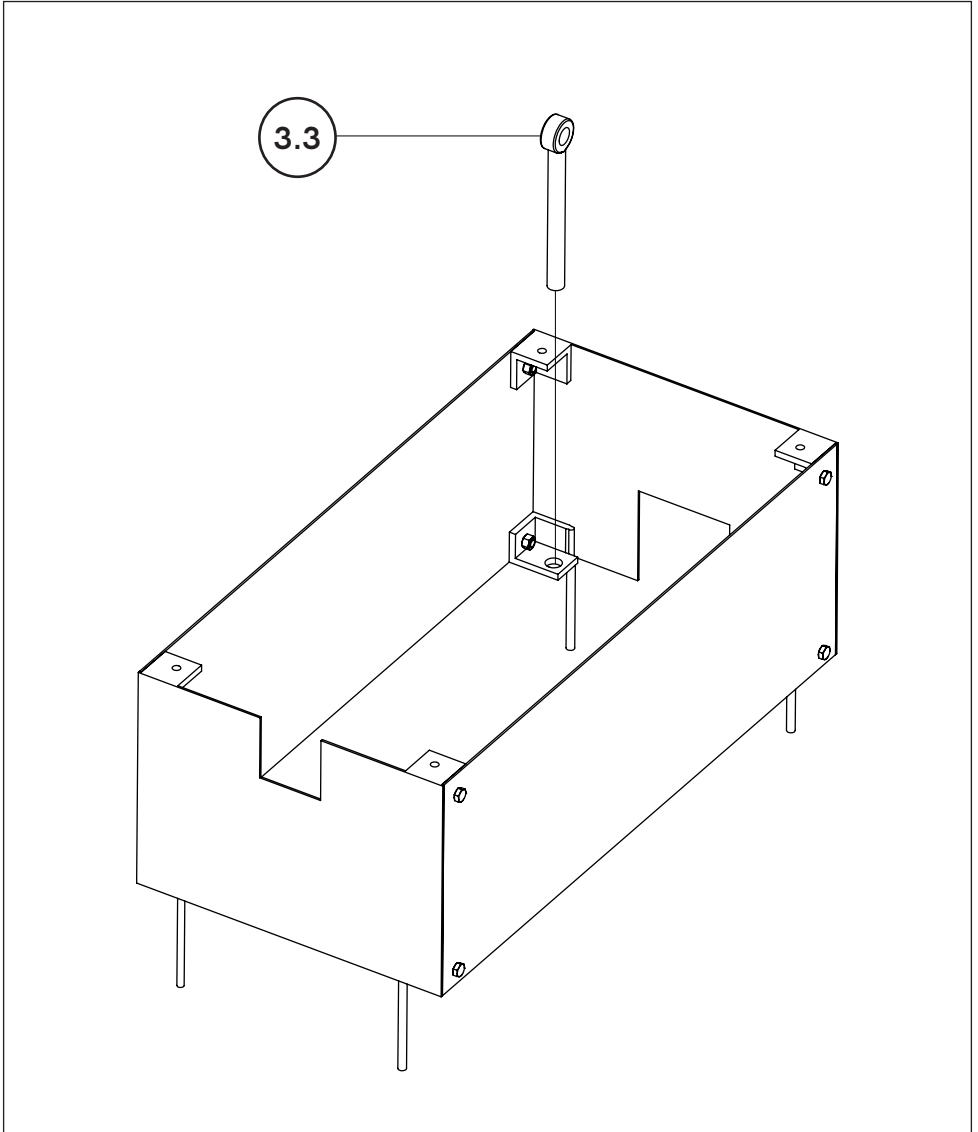
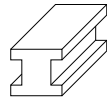
M10x25



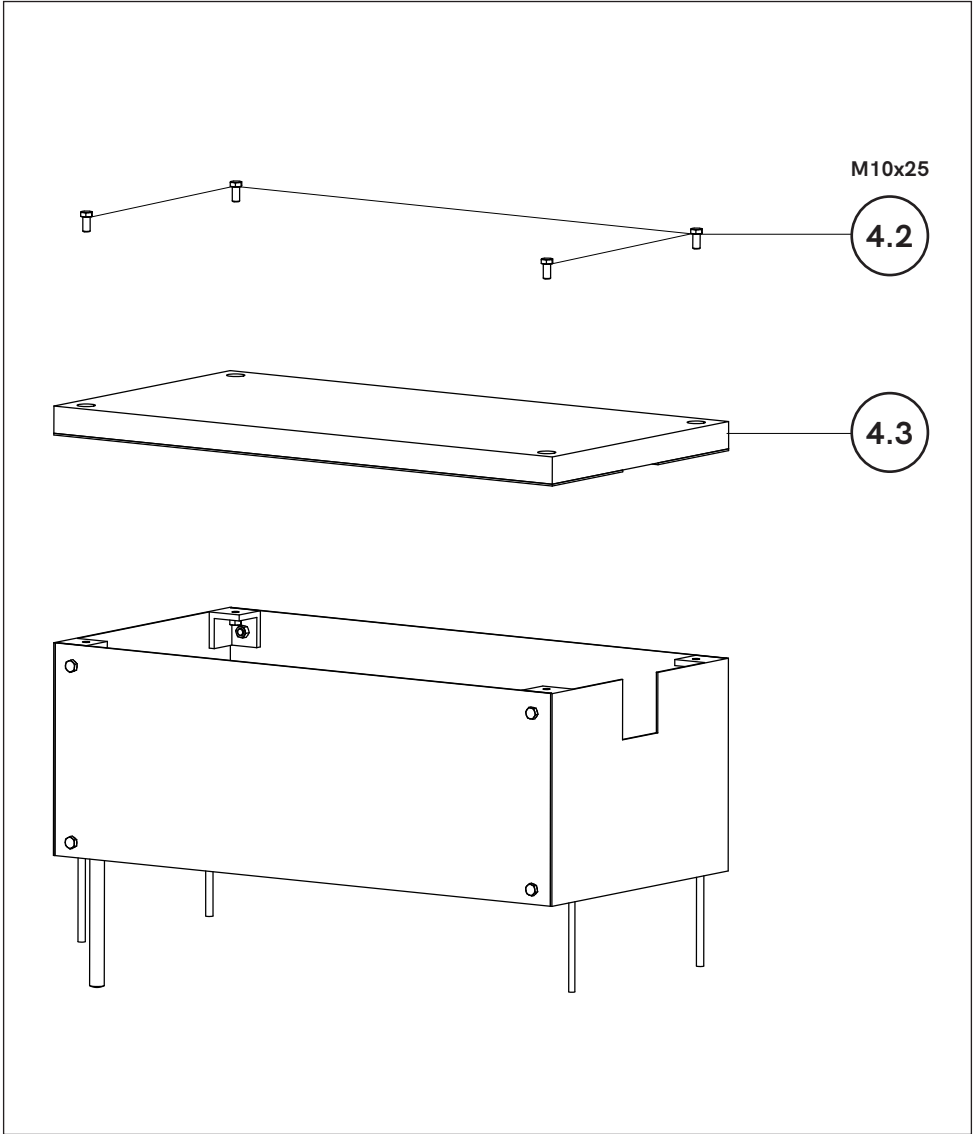
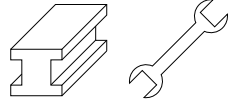
1



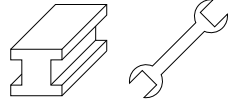
1



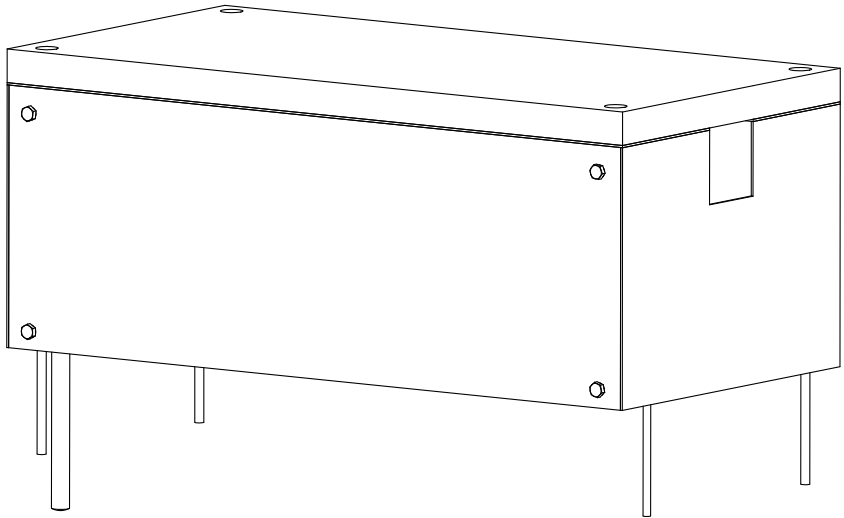
1



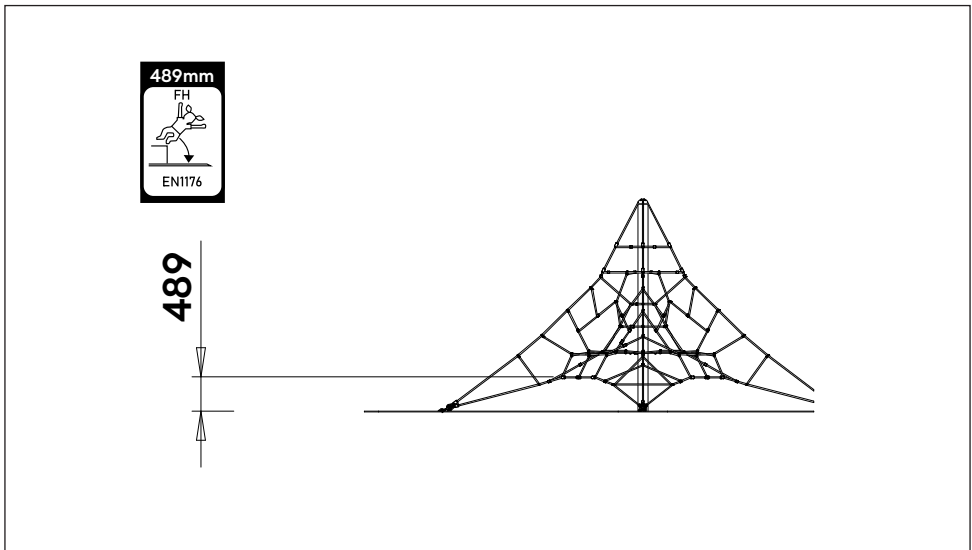
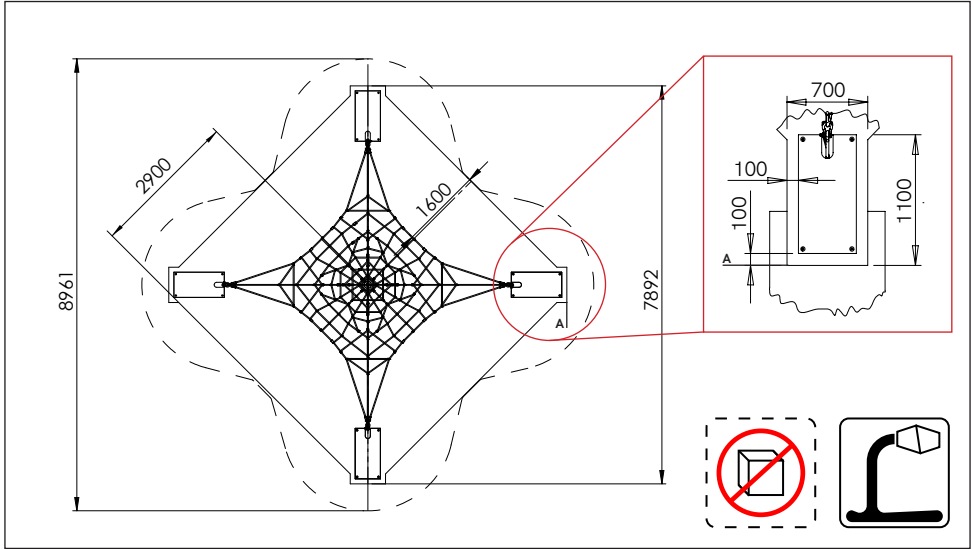
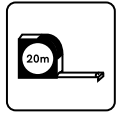
1

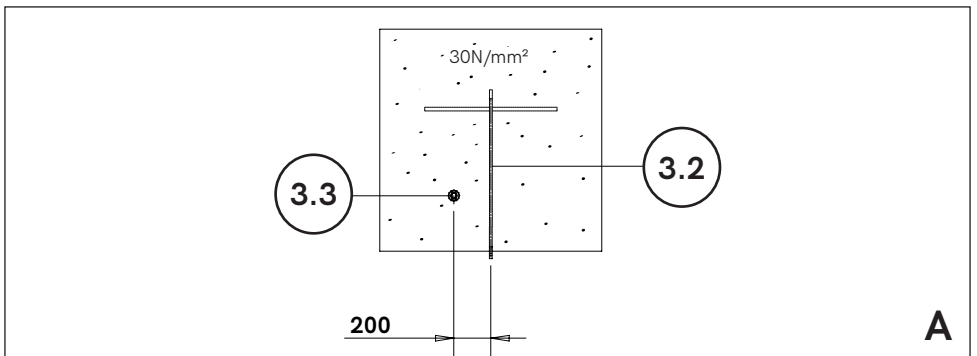
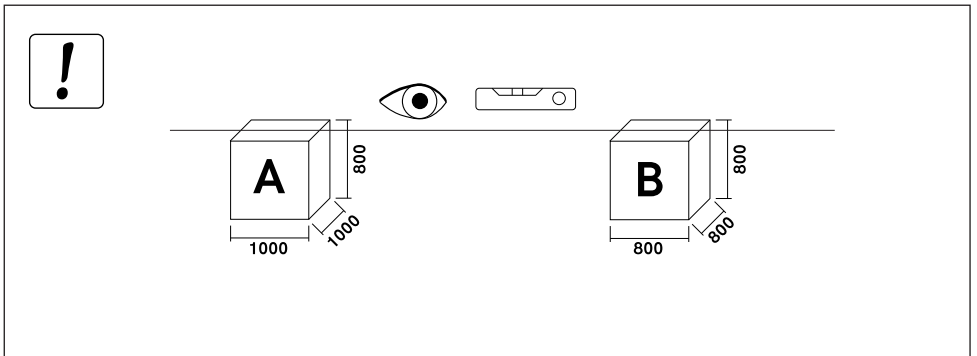
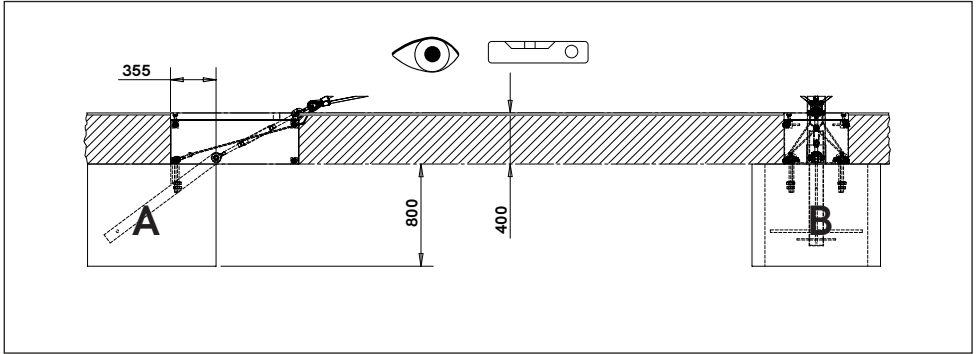


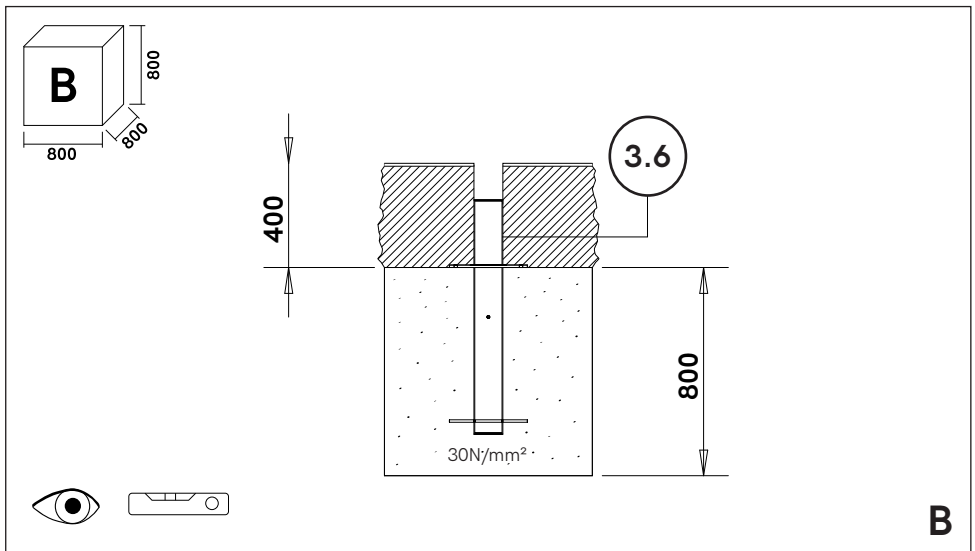
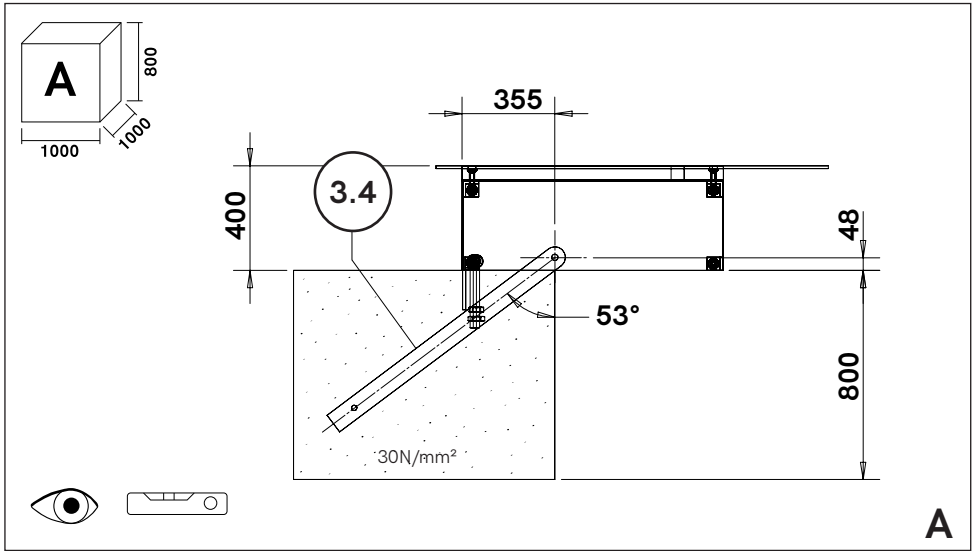
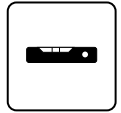
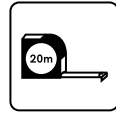
x4



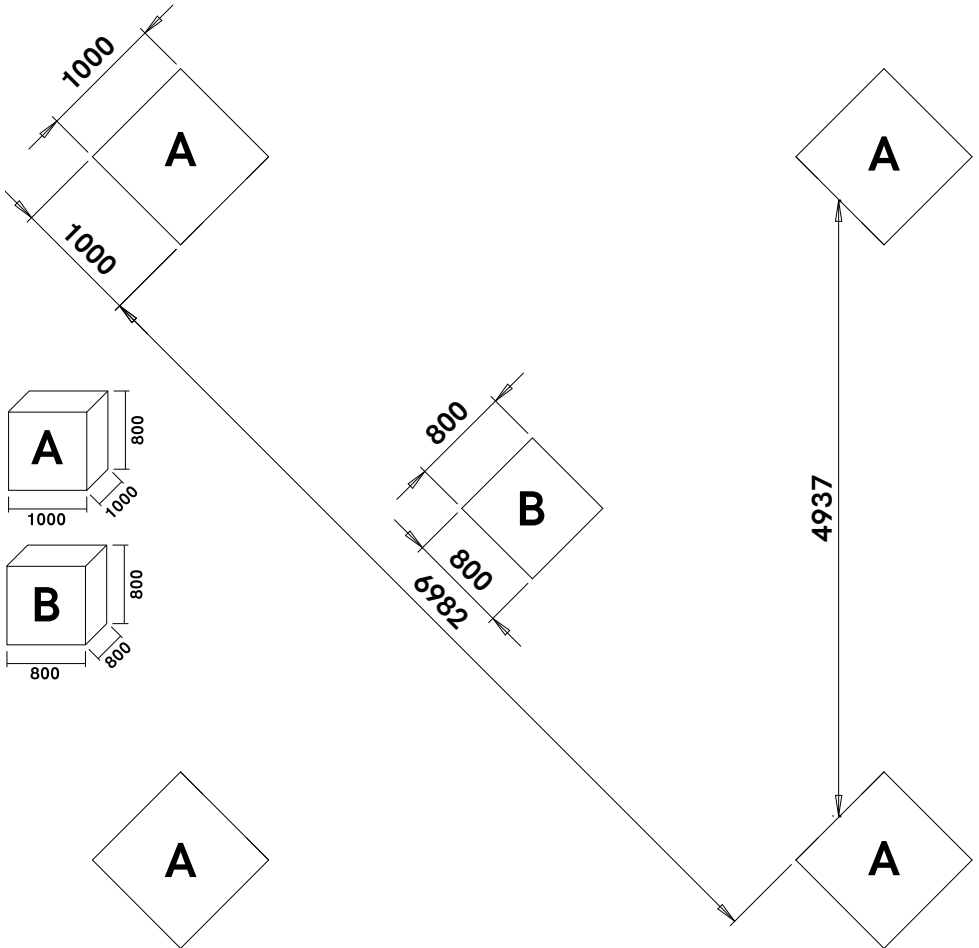
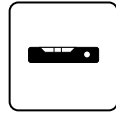
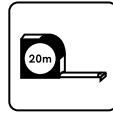




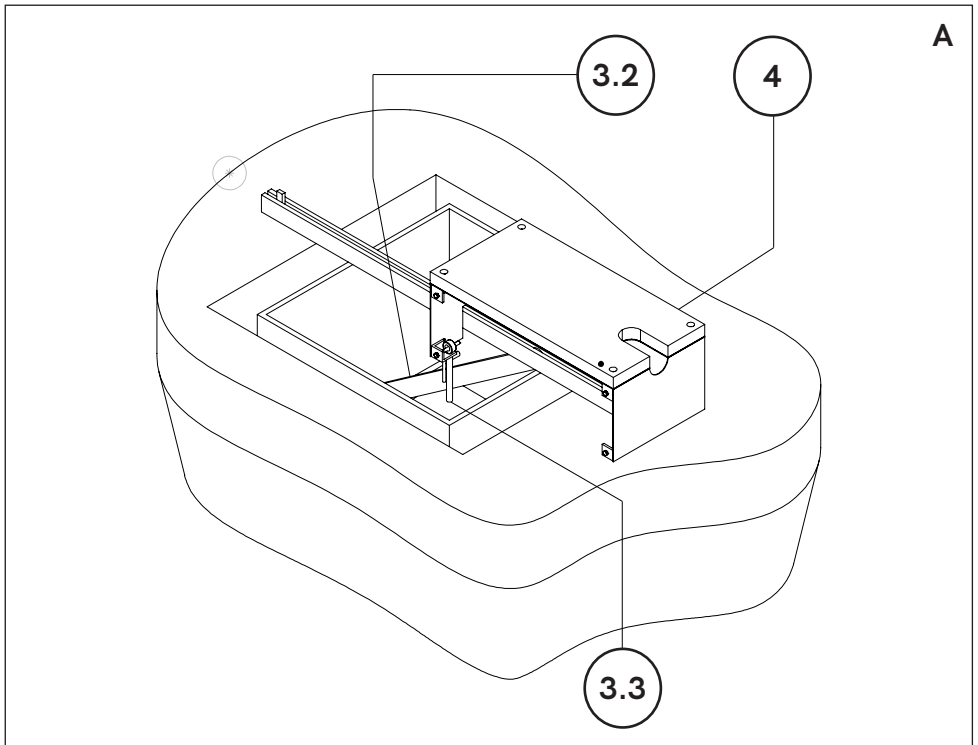
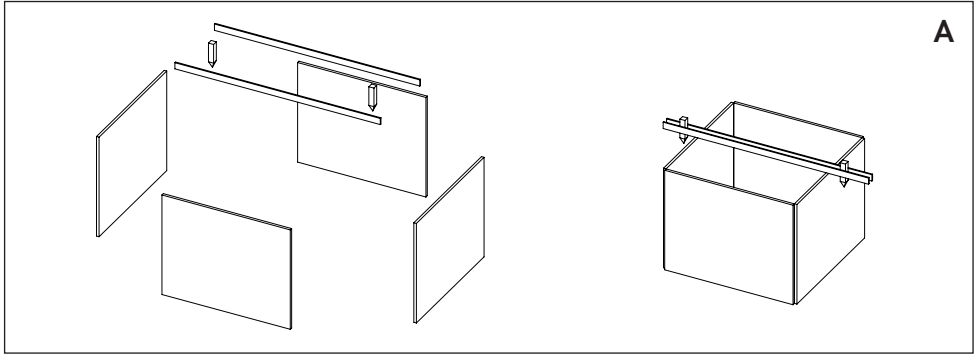
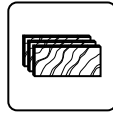
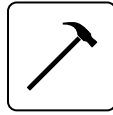
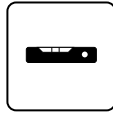




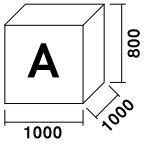
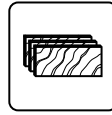
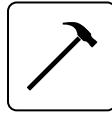
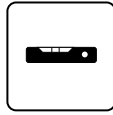
1



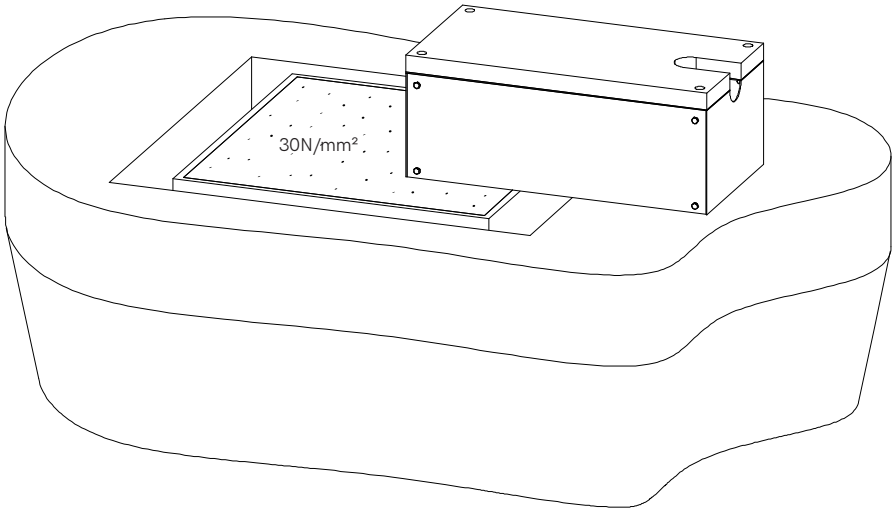
2



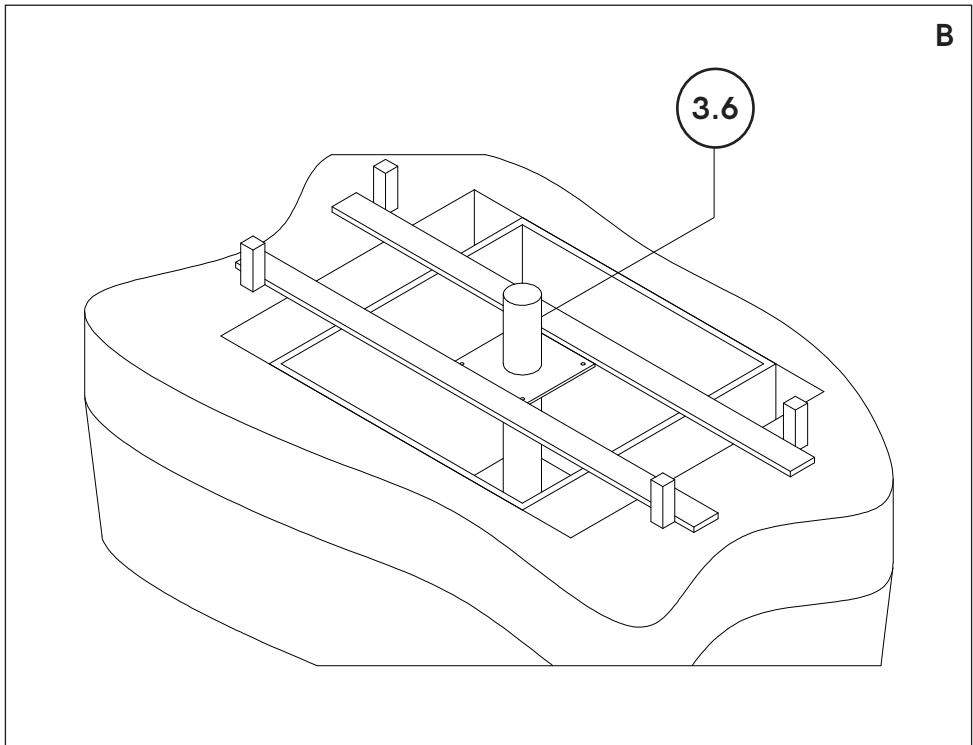
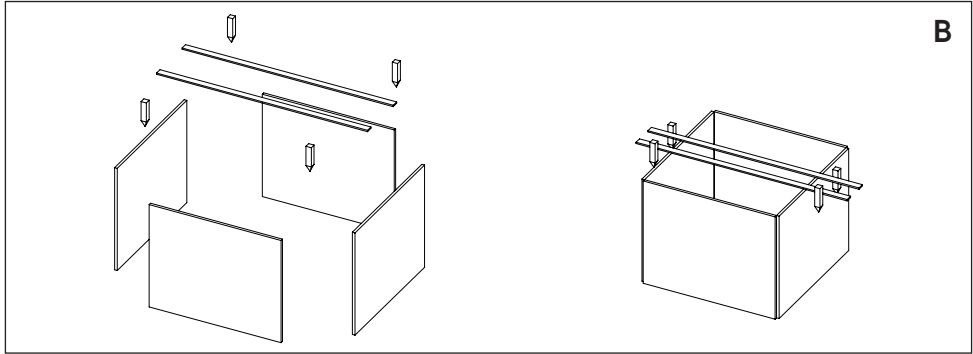
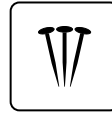
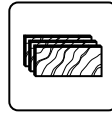
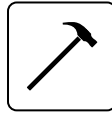
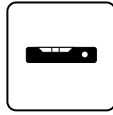
2



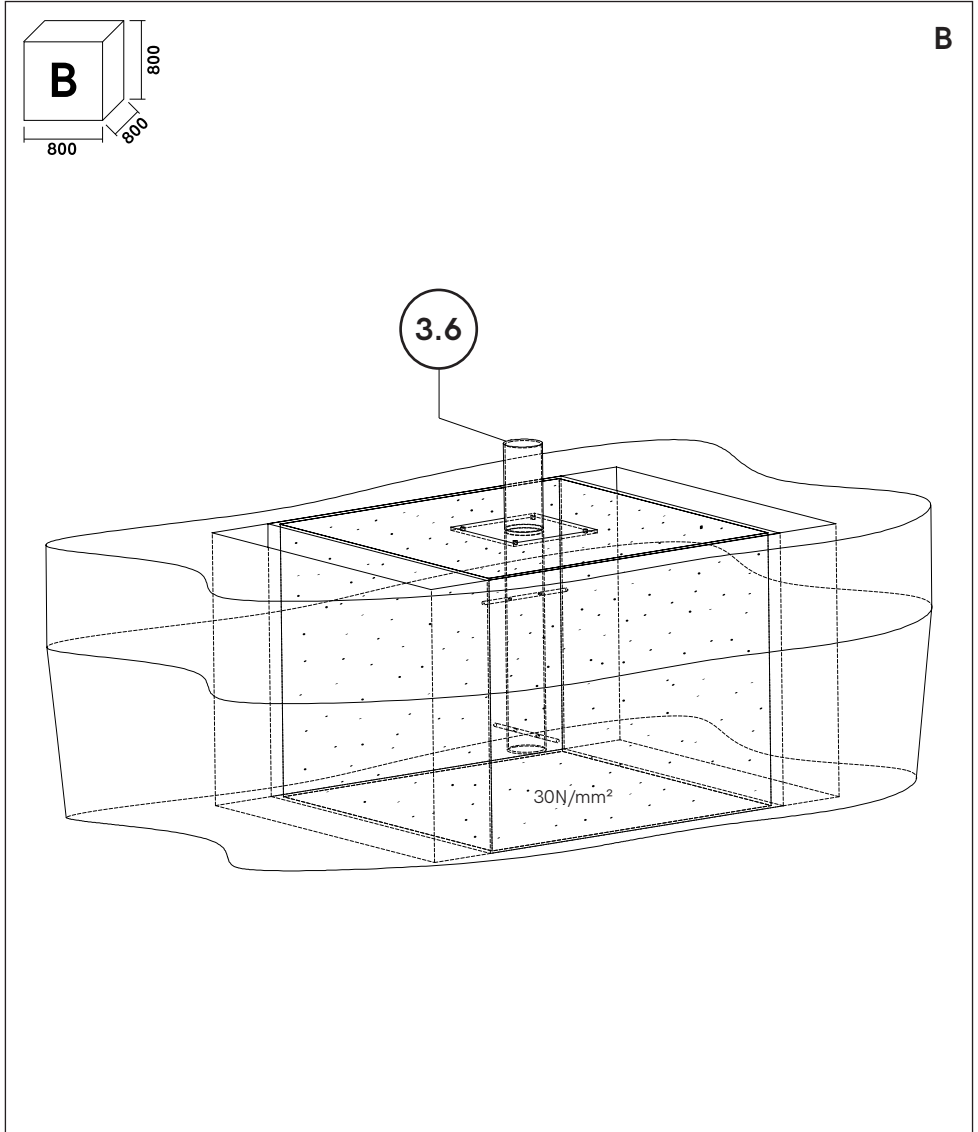
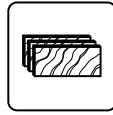
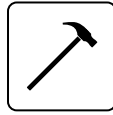
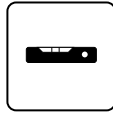
A



2



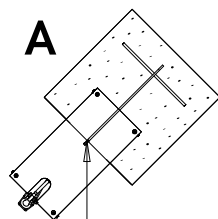
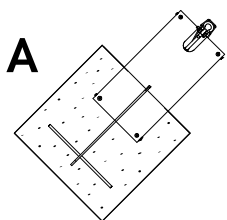
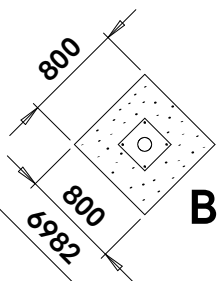
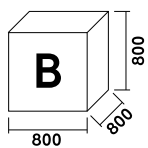
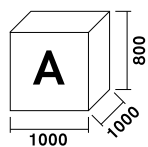
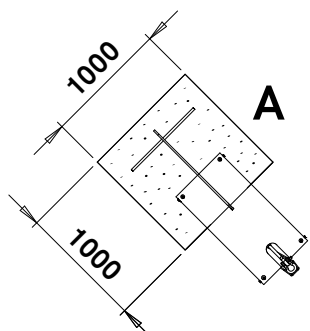
2



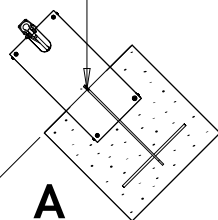


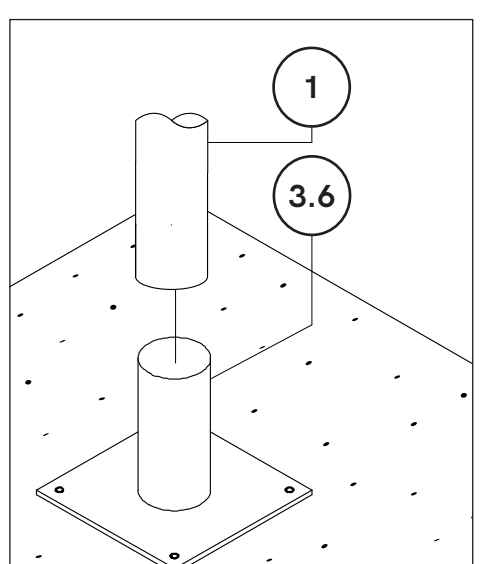
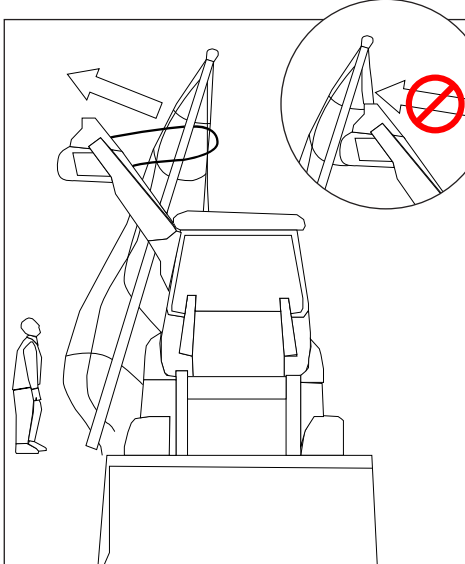
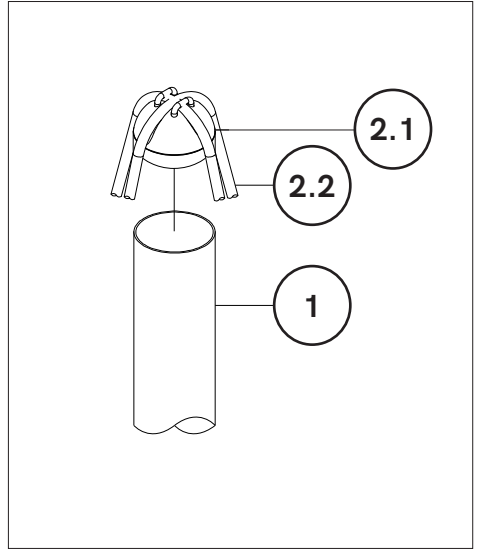
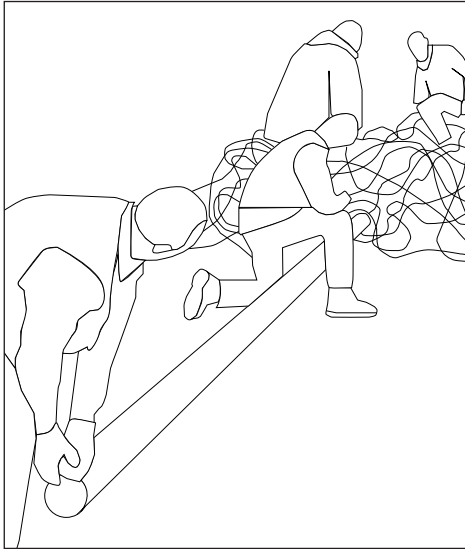
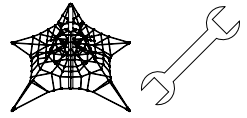


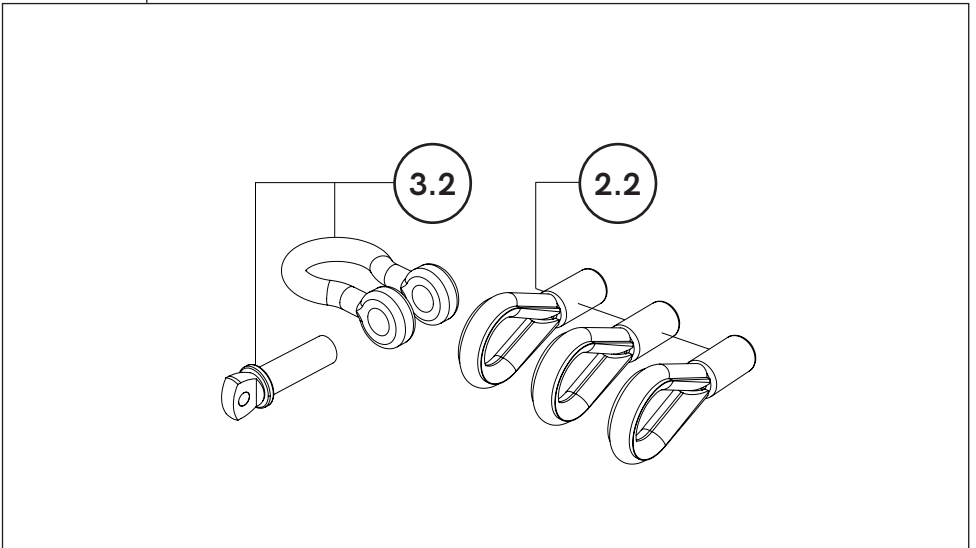
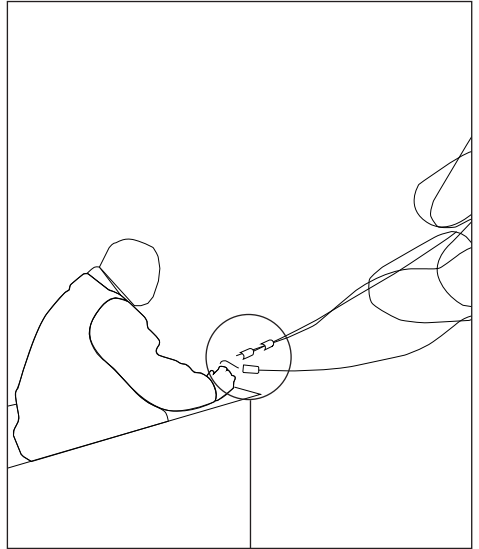
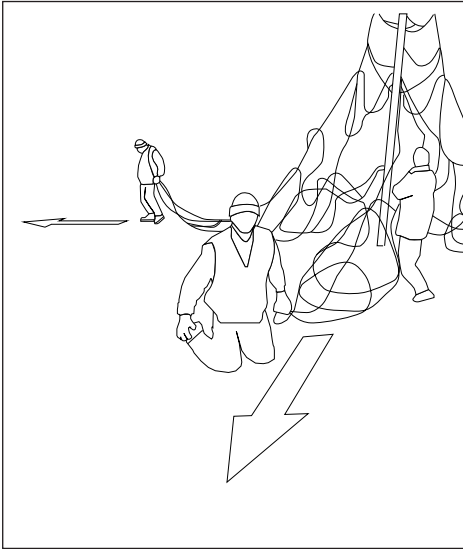
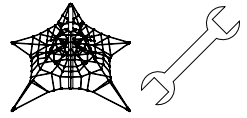
7 x 24h

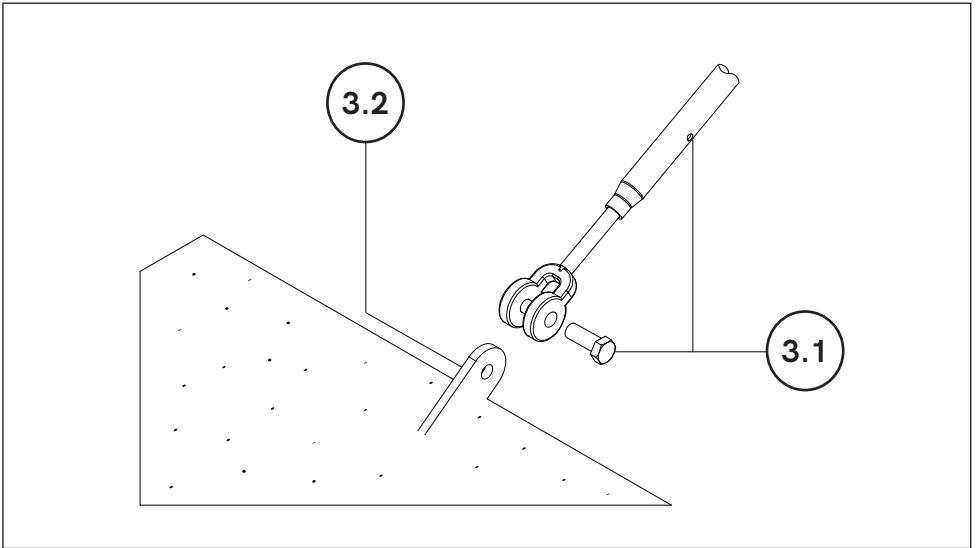
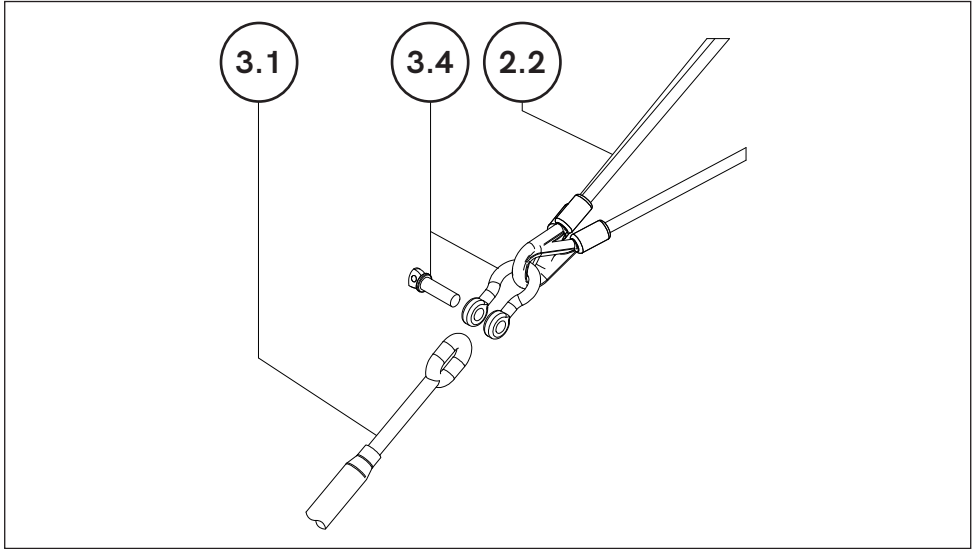
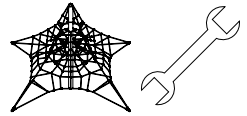


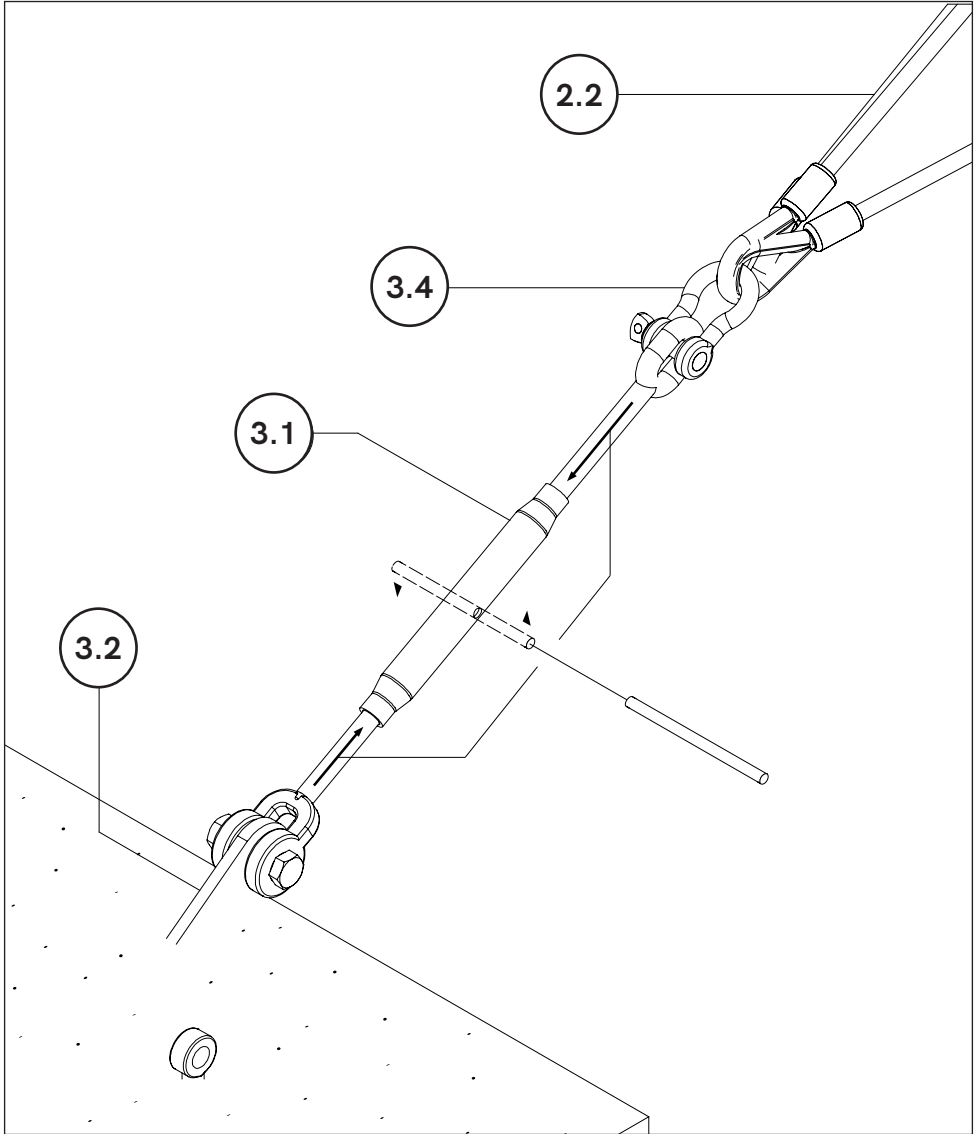
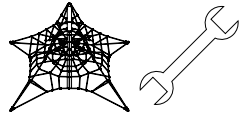
4937



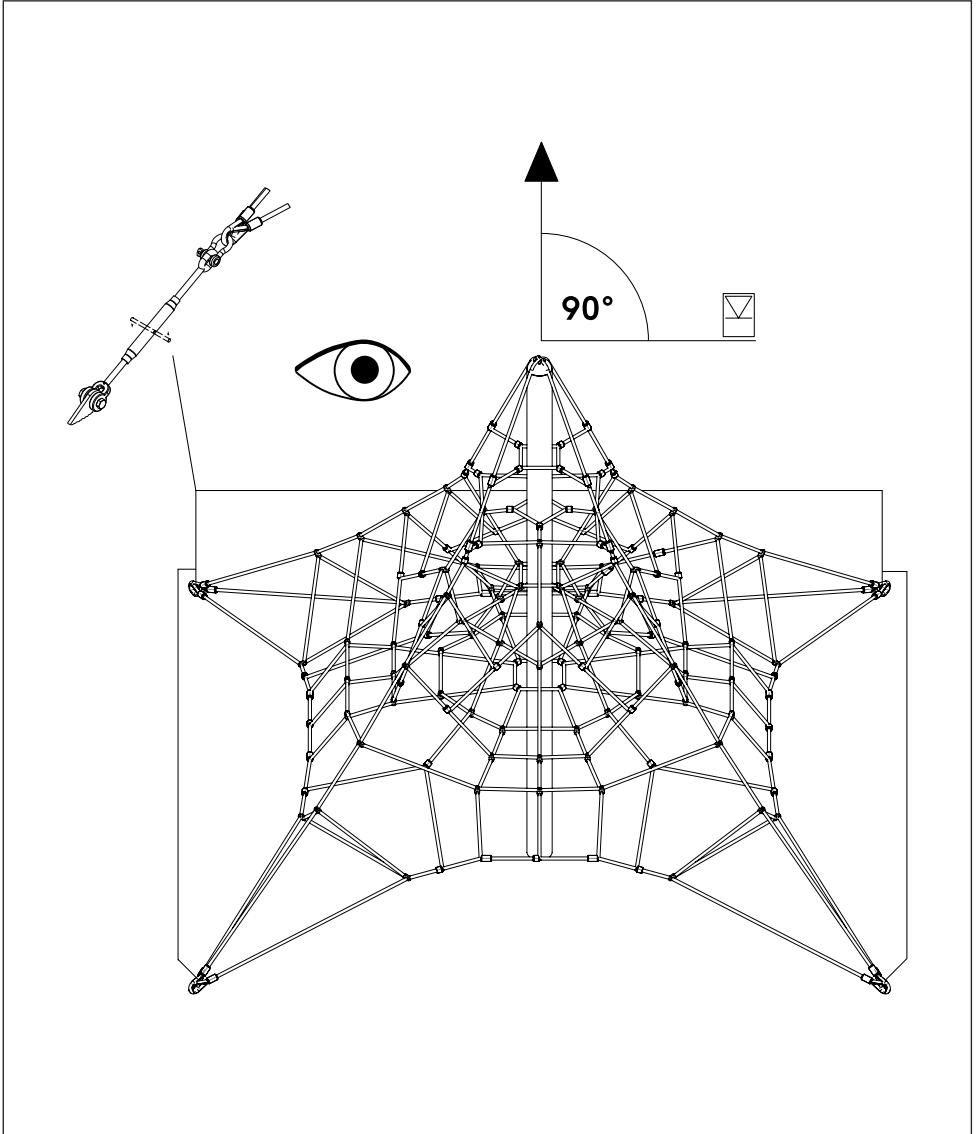
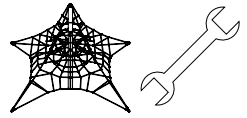




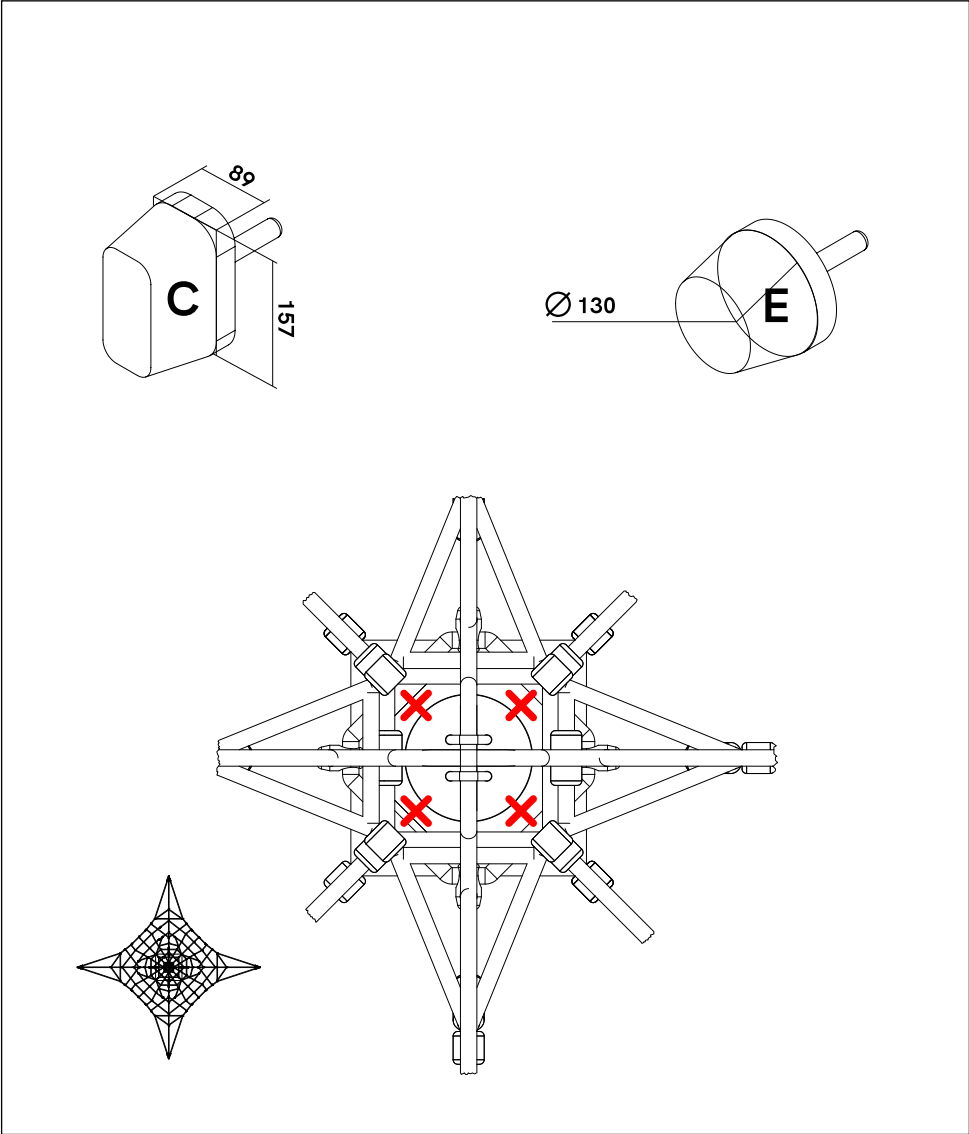
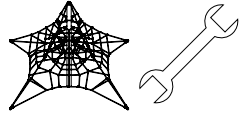


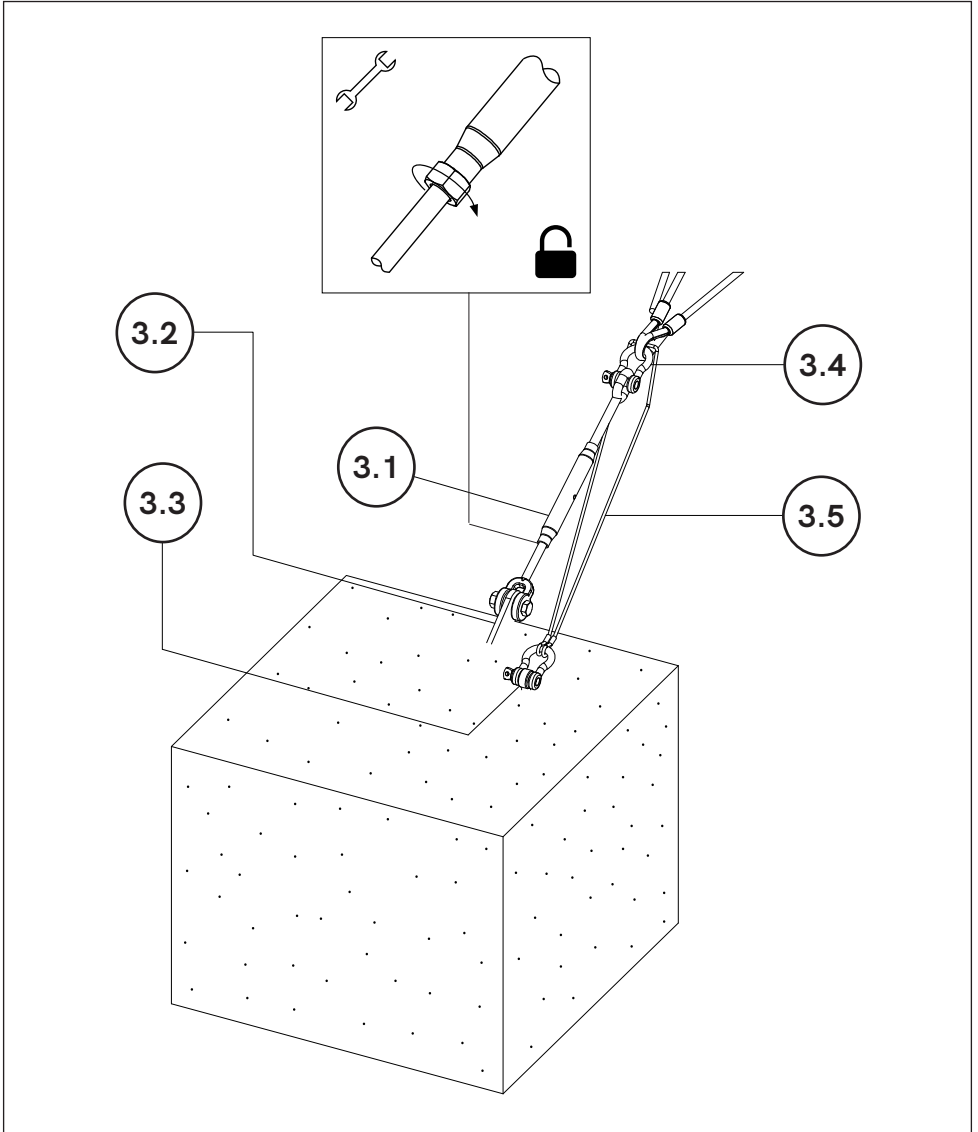
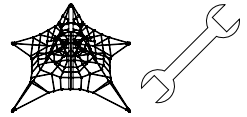


3

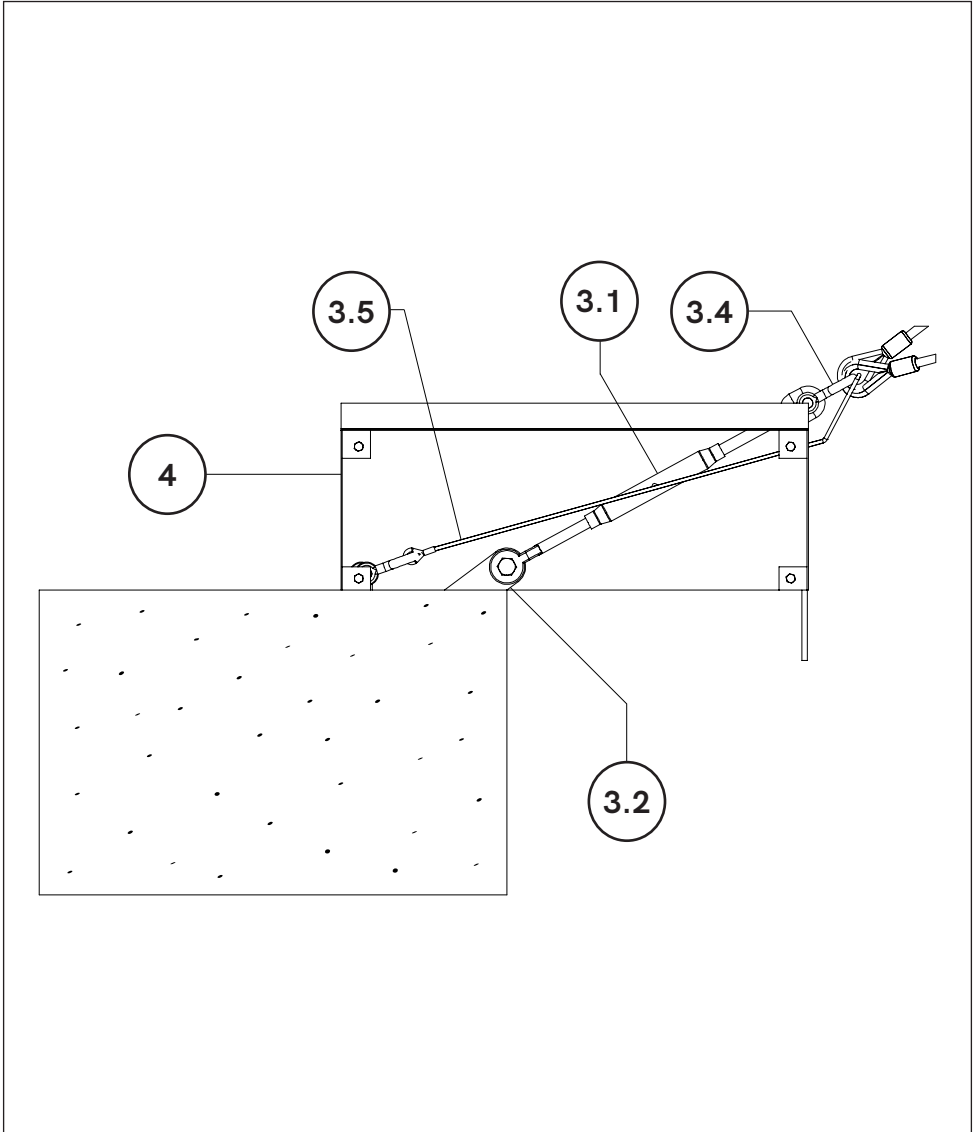
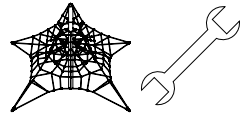


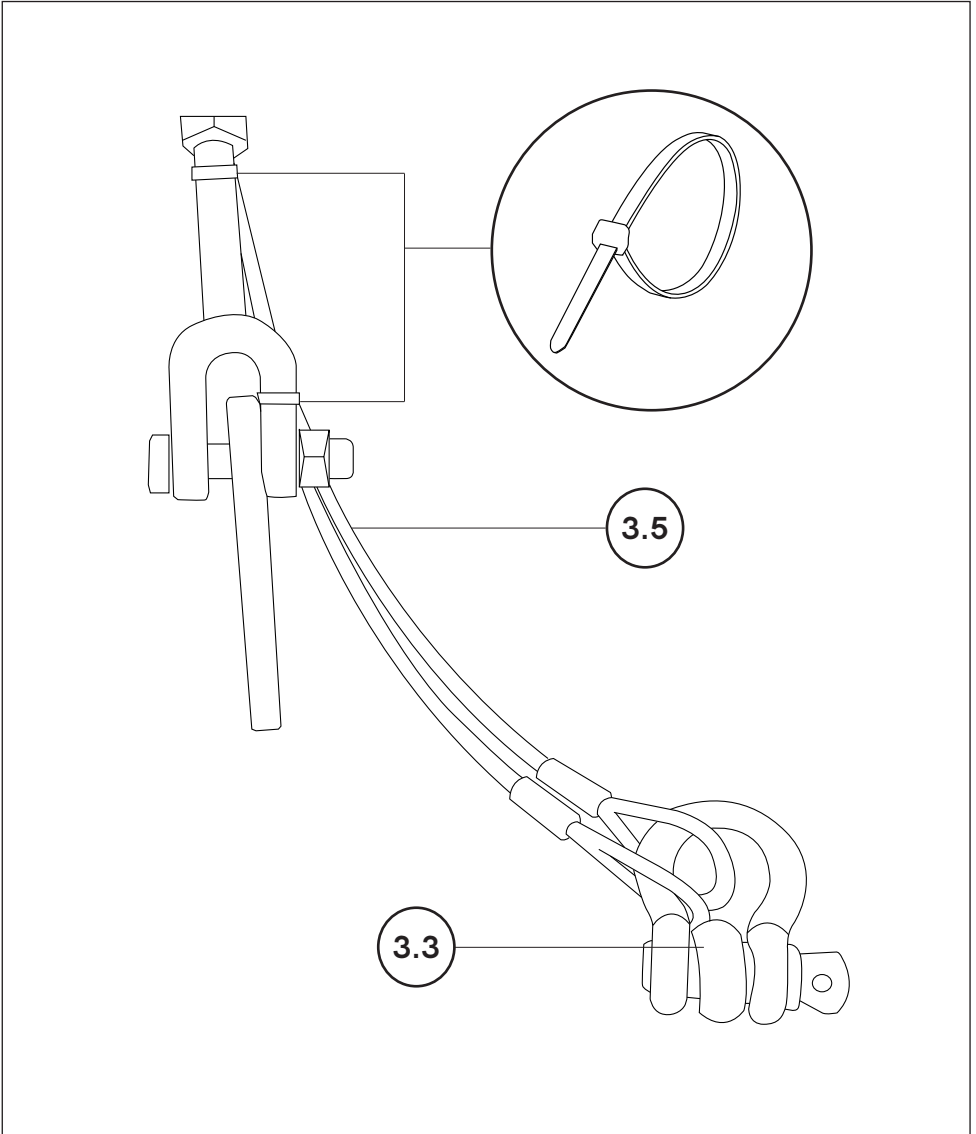
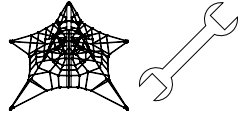
3



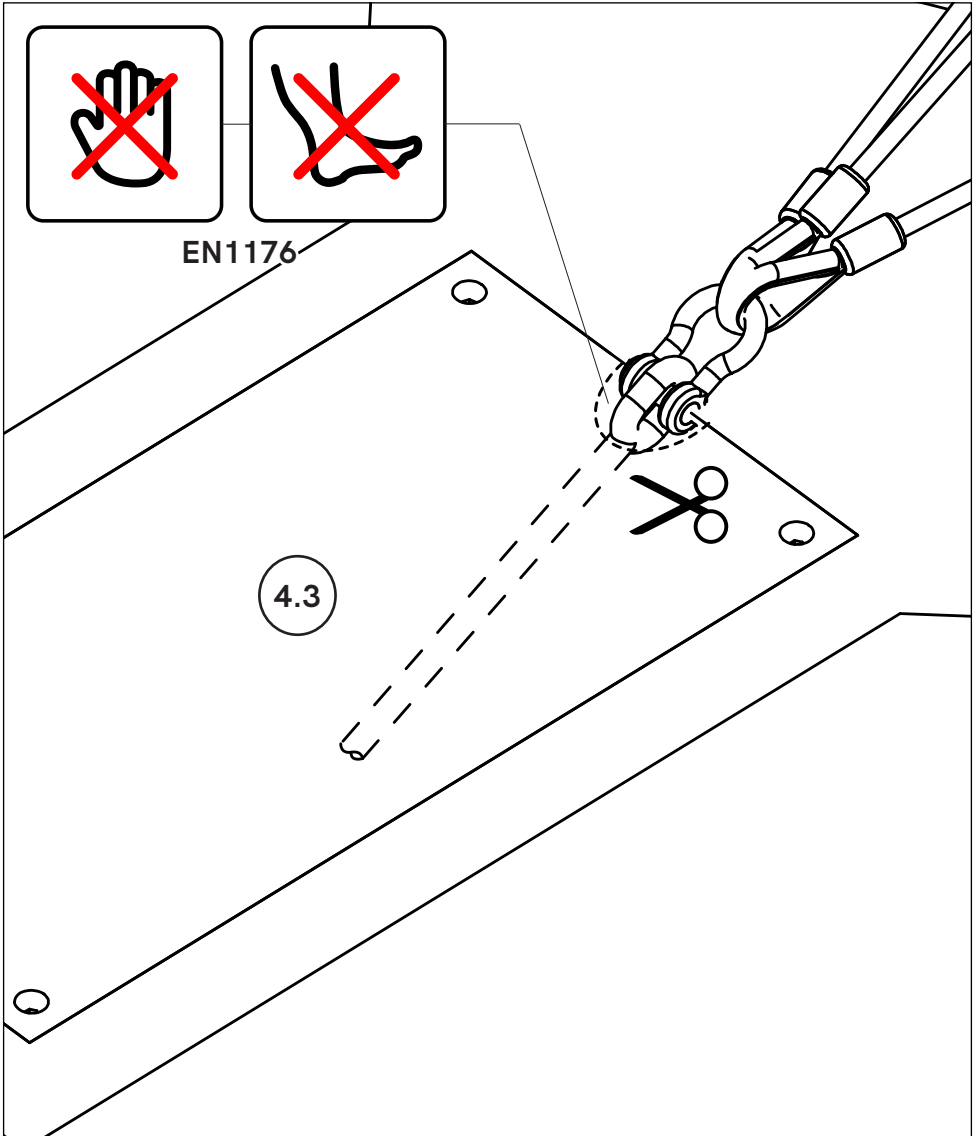
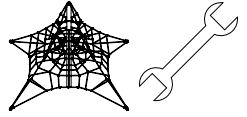


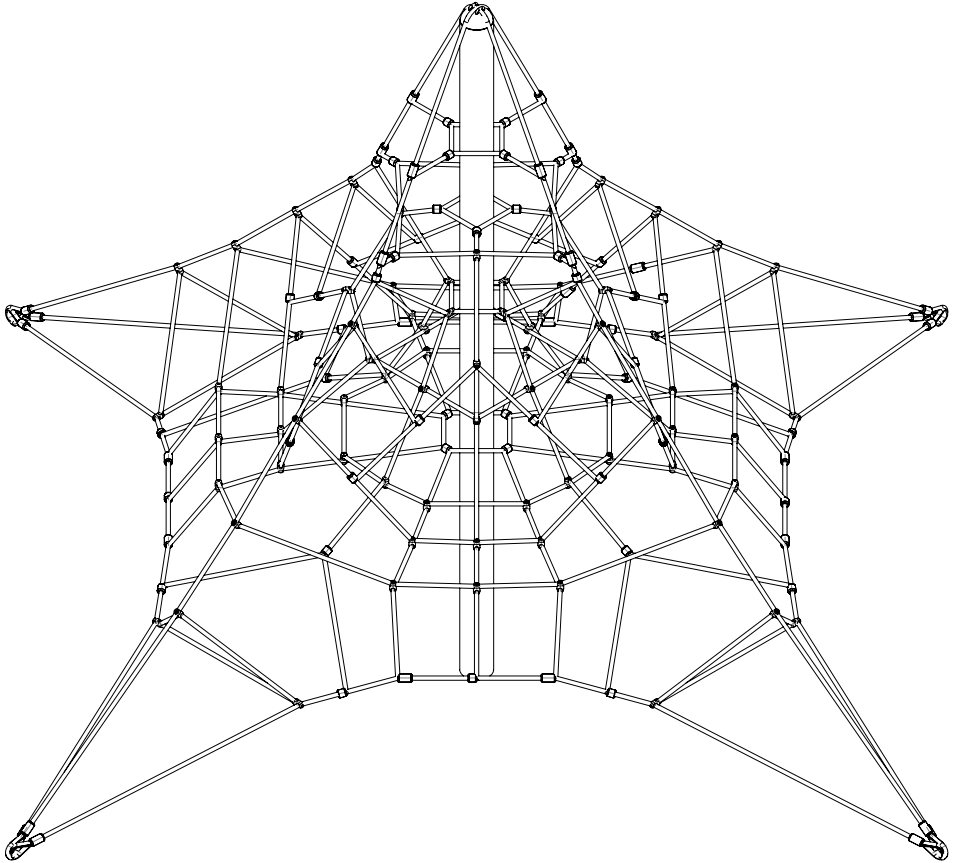






3







## Tayplay Ltd

13A Riverview Business Park  
Friarton Road  
Perth  
PH2 8DF  
Scotland

Tel: +44 (0) 1738 449 084  
Fax: +44 (0) 1738 449 094  
Email: [info@tayplay.com](mailto:info@tayplay.com)  
Web: [www.tayplay.com](http://www.tayplay.com)

